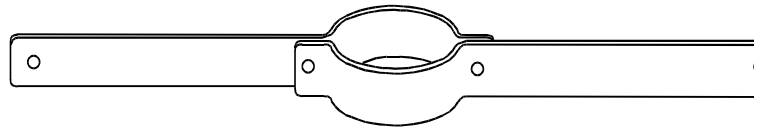


Miscellaneous Brackets

Ladder / Banner Brackets

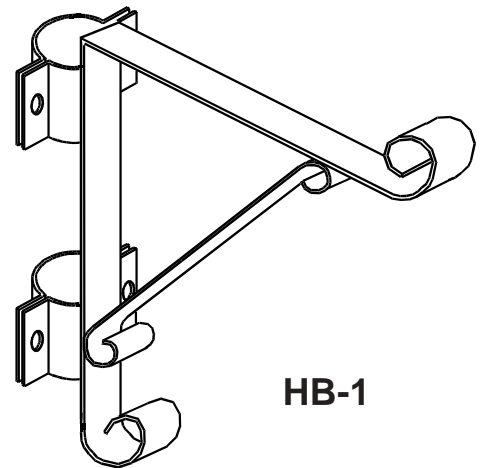
Designed to clamp onto a steel column these brackets can be used to hold banners / signs as well as acting as a ladder support. They have an out reach of 0.6m. Comes with two M10 x 30 stainless steel bolts and nylock nuts. Manufactured from mild steel and hot dipped galvanised to BS EN ISO 1461 as standard.



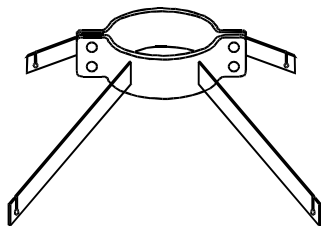
LB-1

Hanging Basket Brackets

Designed to clamp onto a steel column these ornamental hanging basket brackets boast heavy duty construction from 5mm material. They have an out reach of 0.5m. 2 brackets can be bolted together to form a double. Comes with four M10 x 30 stainless steel bolts and nylock nuts. Manufactured from mild steel and hot dipped galvanised to BS EN ISO 1461 as standard. Further paint finish and/or design to customers specification available.

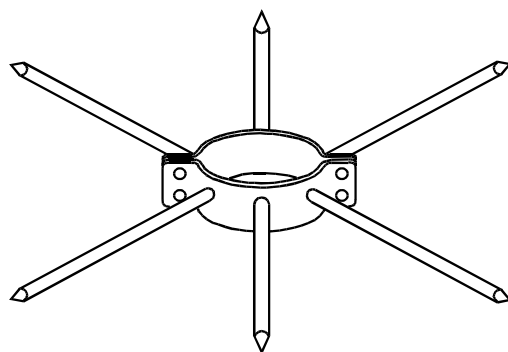


HB-1



ACB-BW

ACB-6S



Anti-Climb Brackets

Designed to clamp onto a steel column these anti-climb brackets come in two designs. The ACB-BW accommodates barbed wire fixing.

The ACB-6S has six spiked bars protruding outwards.

Both types come with stainless steel bolts and nylock nuts. Manufactured from mild steel and hot dipped galvanised to BS EN ISO 1461 as standard.

When ordering items from this page please provide details as per the below table.

Part No.	Column Dia.	Finish	Quantity

Bespoke Orders

We are happy to manufacture to your specification in Galvanised Steel, Stainless Steel or Aluminium. Please use the space provided in the tables above and fax to us on 01458 274145 for a quotation.



Tel : 01458 274017 • Fax : 01458 274145
 email : info@fisherandcompany.co.uk
www.fisherandcompany.co.uk
www.feederpillars.com

2, 3 & 4 Cary Court
 Somerton Business Park
 Somerton • Somerset
 TA11 6SB • England