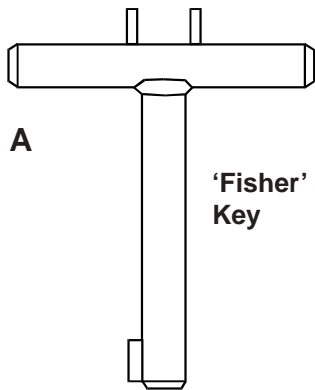


Column / Feeder Pillar Keys

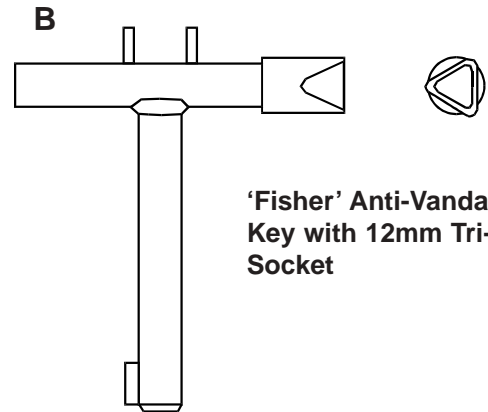
Door Keys

We manufacture several different types of column/feeder pillar keys, a selection of which can be seen detailed below. If you cannot see the key you require please ask, as most often than not we can accommodate your requirement.



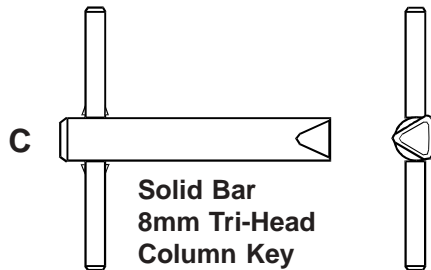
A

'Fisher' Anti-Vandal Lock Key



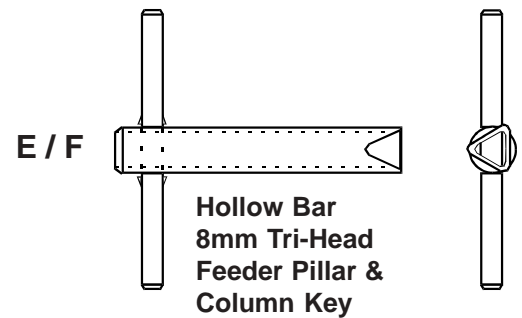
B

'Fisher' Anti-Vandal Lock Key with 12mm Tri-Head Socket



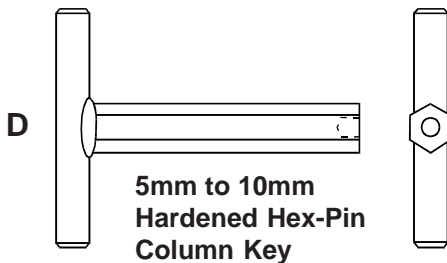
C

Solid Bar
8mm Tri-Head
Column Key



E / F

Hollow Bar
8mm Tri-Head
Feeder Pillar &
Column Key



D

5mm to 10mm
Hardened Hex-Pin
Column Key

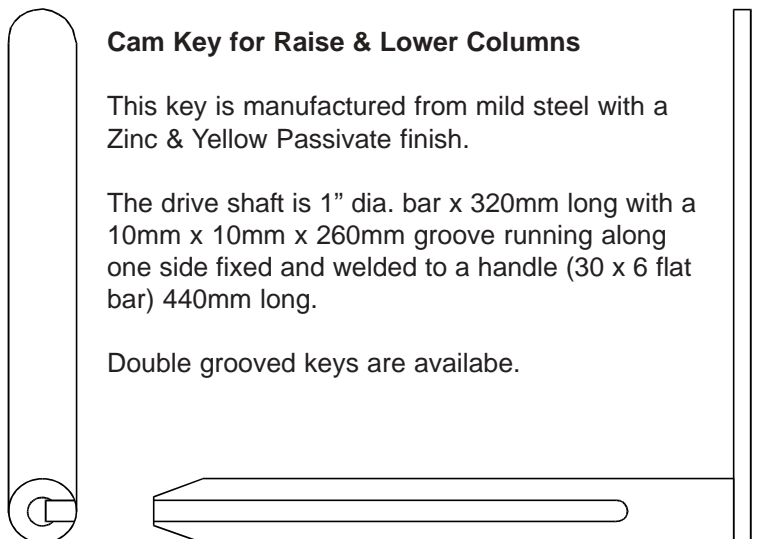
G

Cam Key for Raise & Lower Columns

This key is manufactured from mild steel with a Zinc & Yellow Passivate finish.

The drive shaft is 1" dia. bar x 320mm long with a 10mm x 10mm x 260mm groove running along one side fixed and welded to a handle (30 x 6 flat bar) 440mm long.

Double grooved keys are available.



Key	Part No.	Description
A	FAL	'Fisher' Anti-Vandal Lock Key
B	FAL12T	'Fisher' AVL Key c/w 12m Tri Socket
C	8MSCT	8m Solid Tri-Head Column Key
D	5MXP	5mm Hex-Pin Security Key
D	6MXP	6mm Hex-Pin Security Key
D	8MXP	8mm Hex-Pin Security Key
D	10MXP	10mm Hex-Pin Security Key
E	8MHTC	8m Hollow Tri-Head Column Key
F	8MHTF	8m Hollow Tri-Head Feeder Pillar Key
G	RLCCK	Raise & Lower Column Cam Key